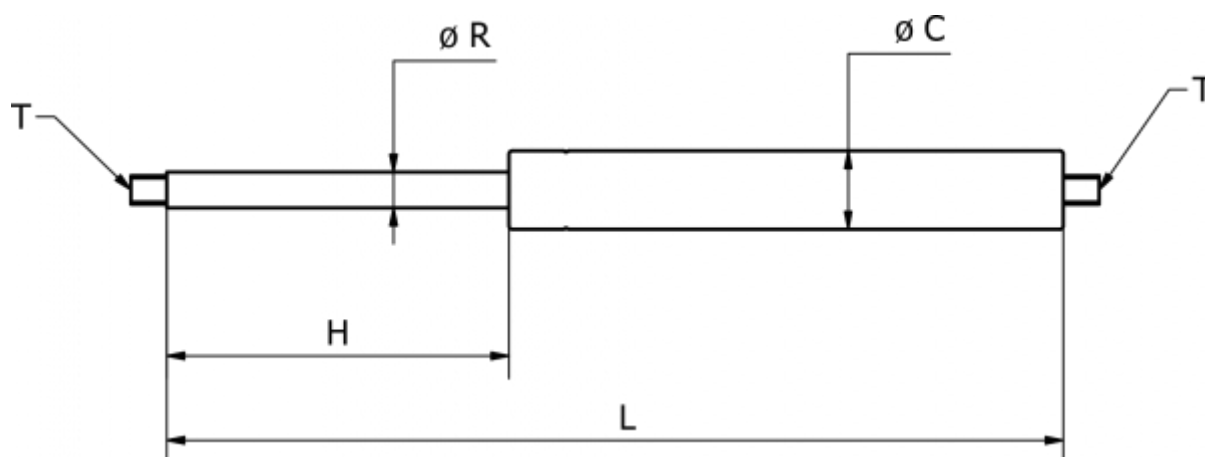


Article number: 04H061500600300V2

Description: Stabilus IndustryLine stainless steel gas spring size 06/15  
300N length 152mm, stroke 60mm Type 04H0615300

## Measures



C = 15  
H = 60  
L = 152  
R = 6  
T = M5 x 5